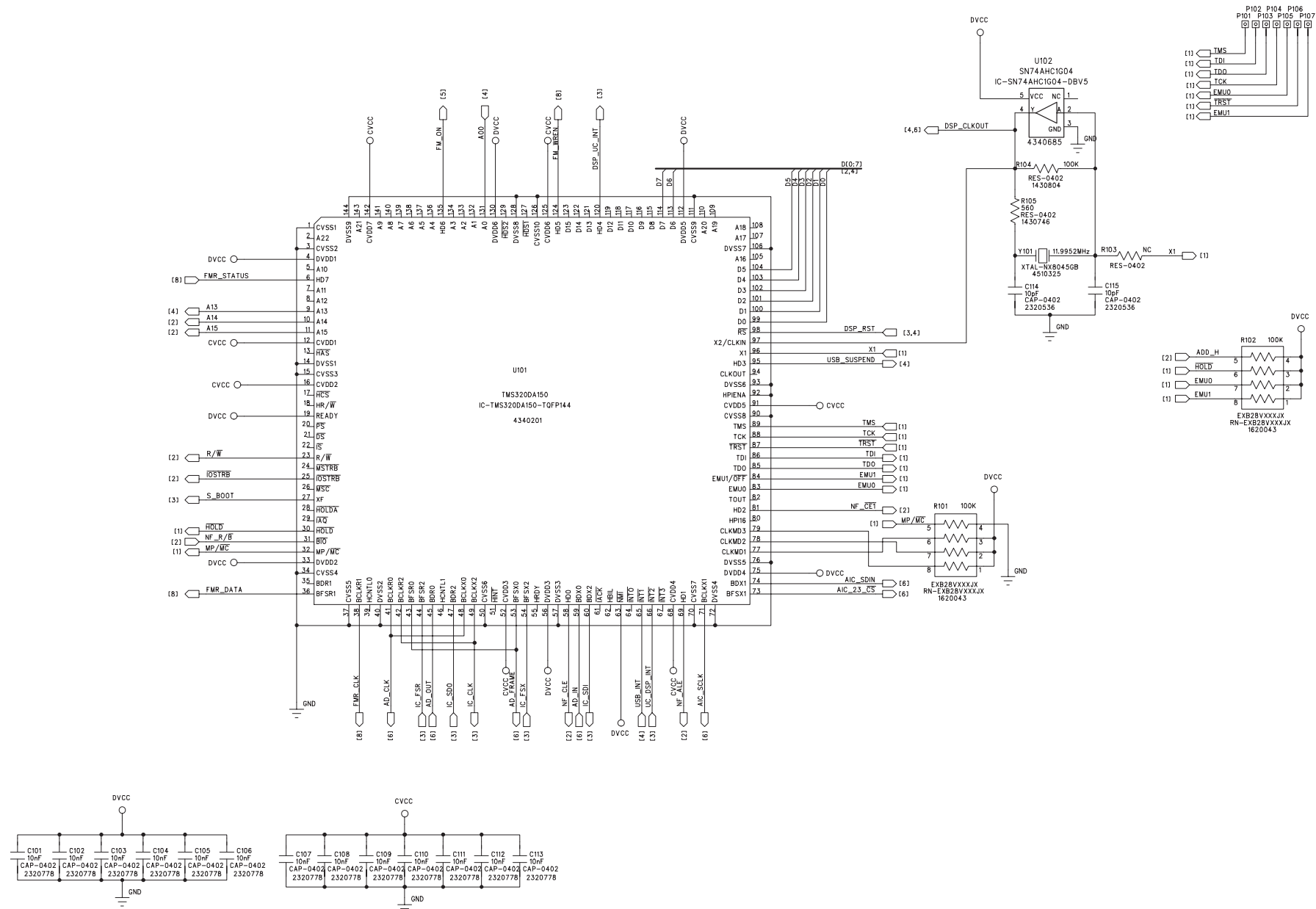


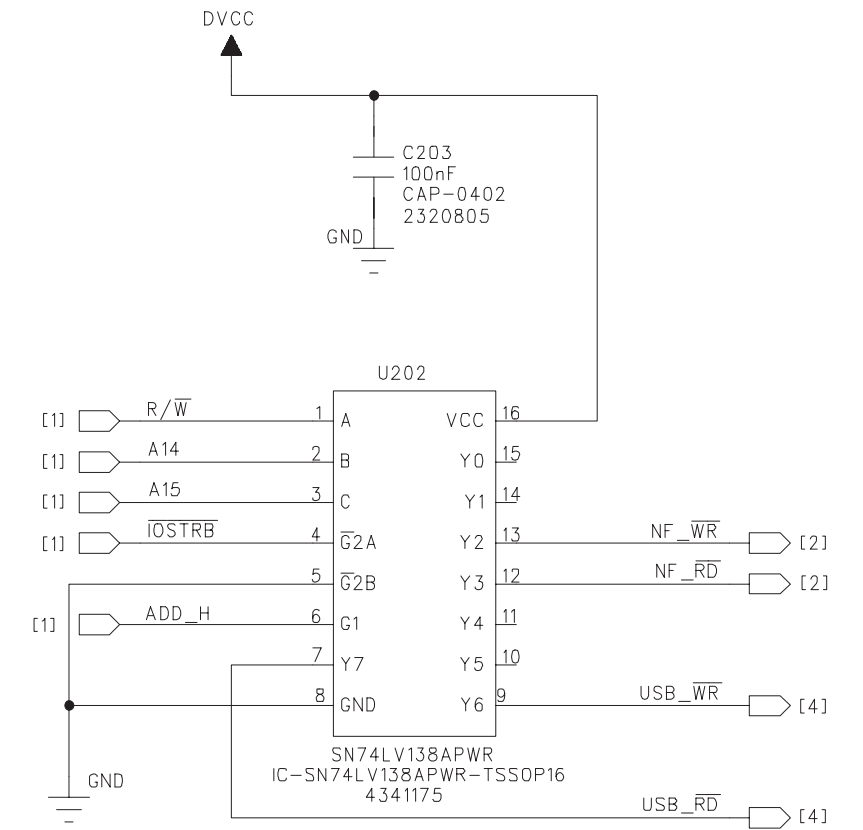
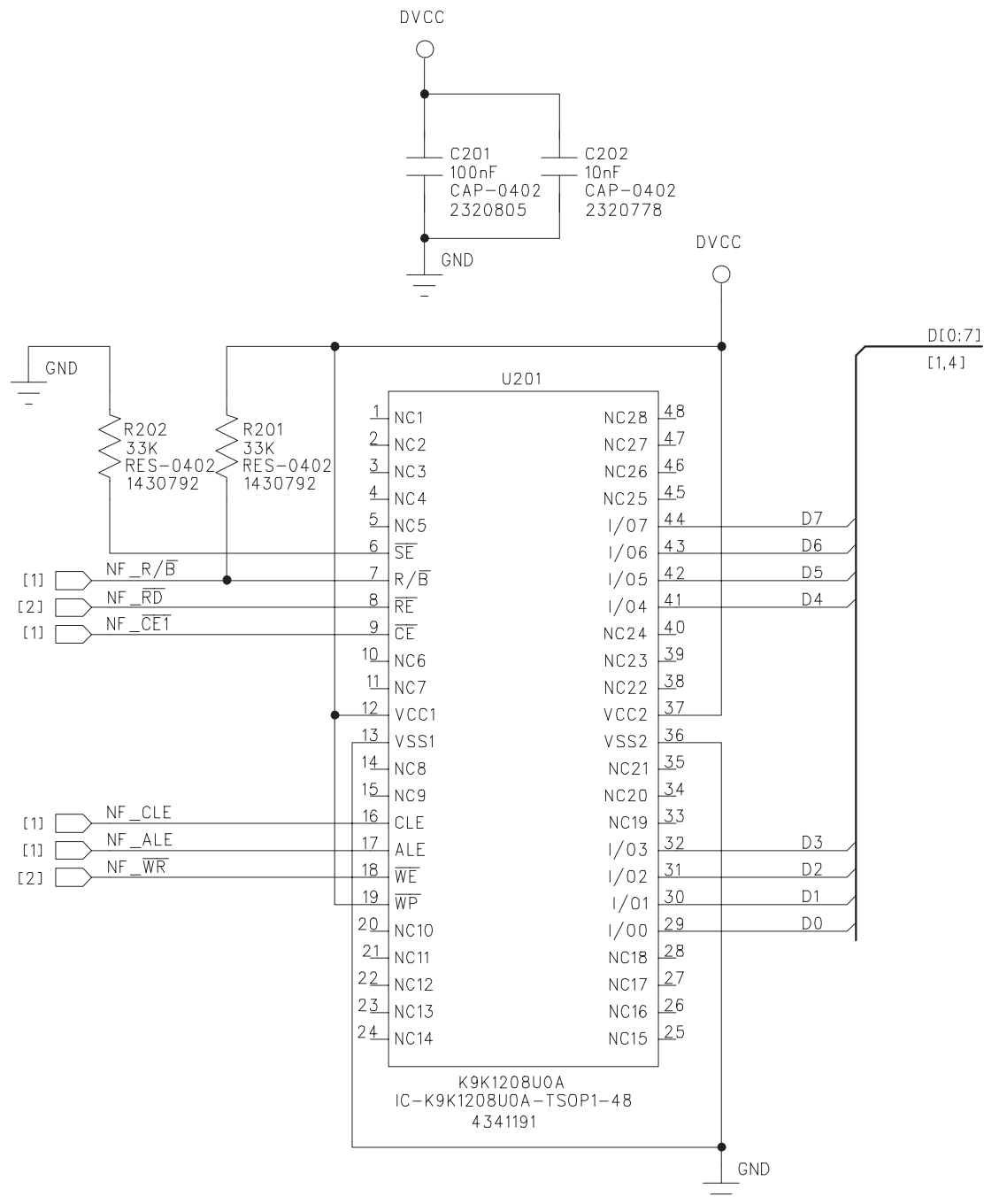
Programmes After Market Services
PAMS Technical Documentation
Series Transceivers

Schematics / Layouts MU4

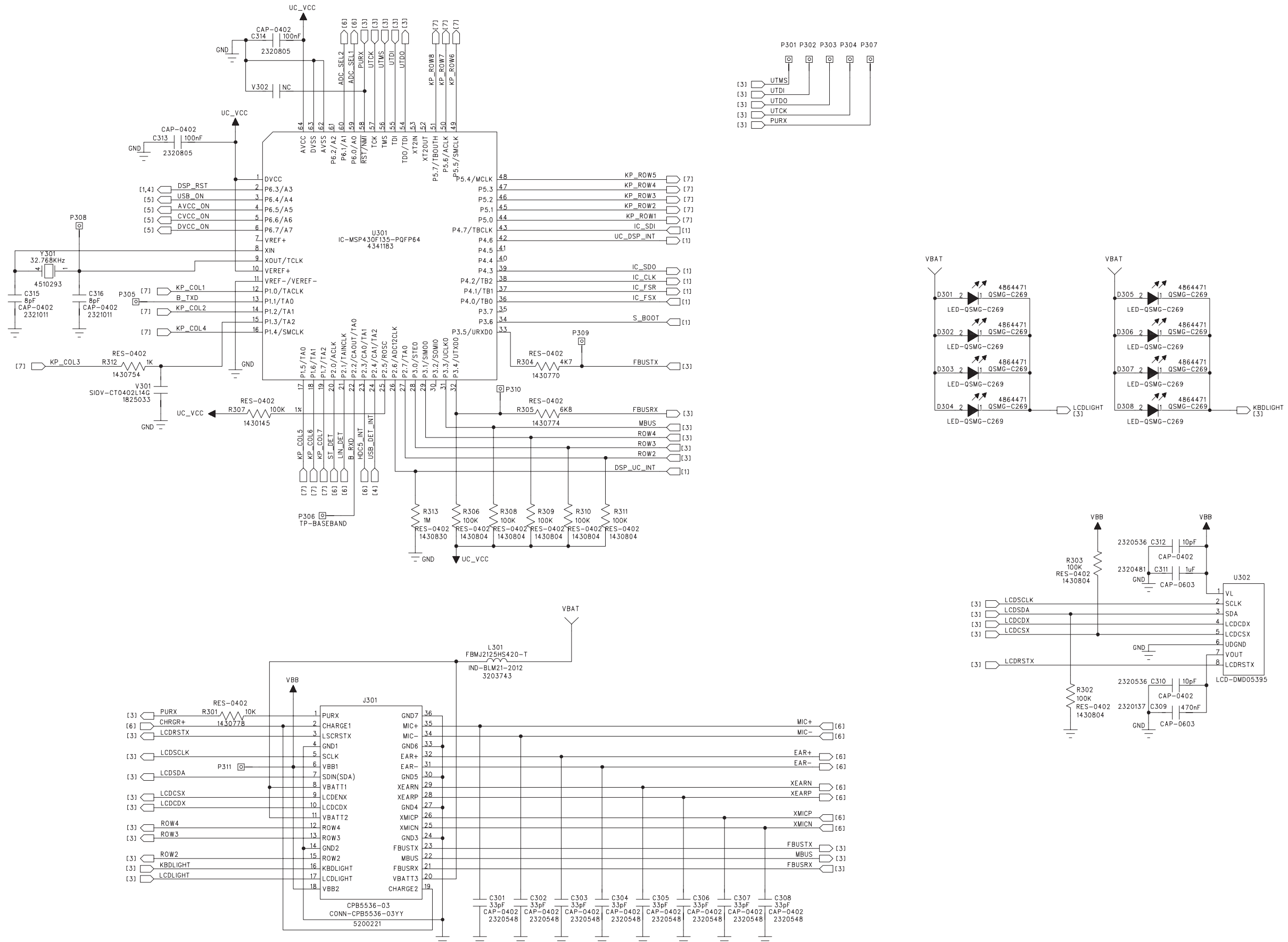
MP3 – DSP schematic diagram, version 4.0



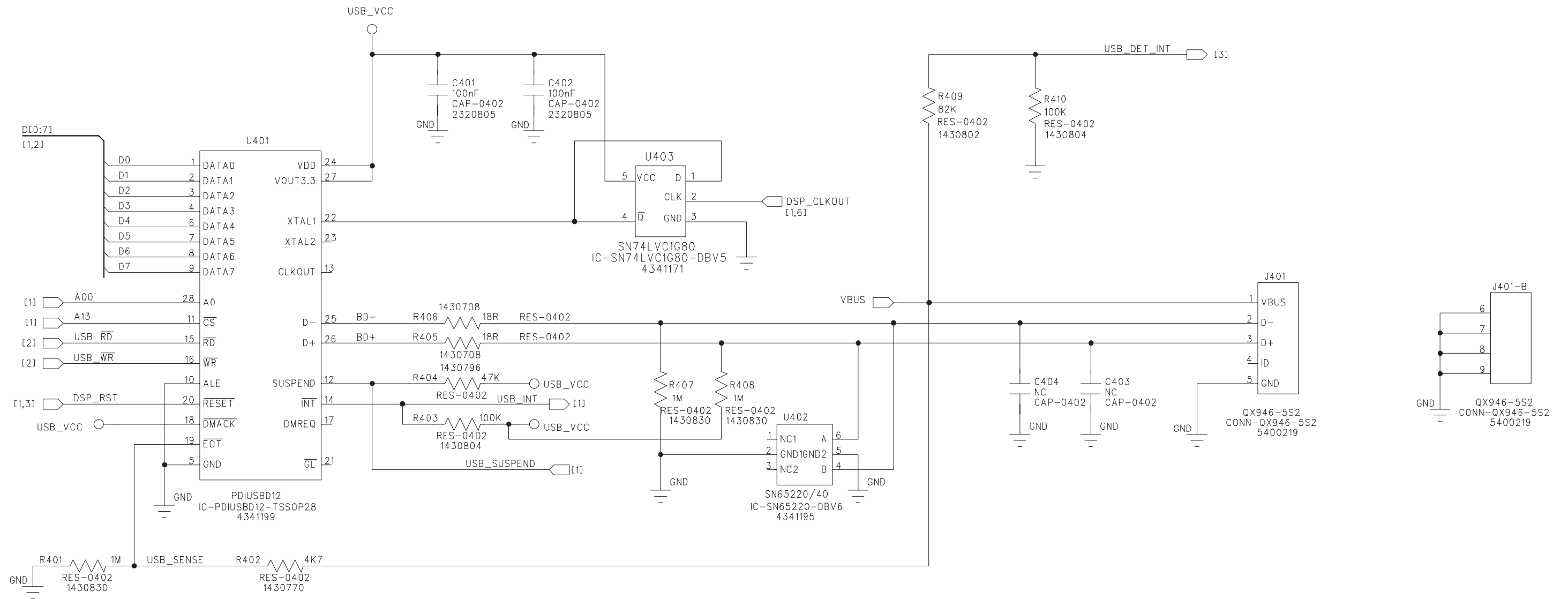
MP3 – memory and logic schematic diagram, version 4.0



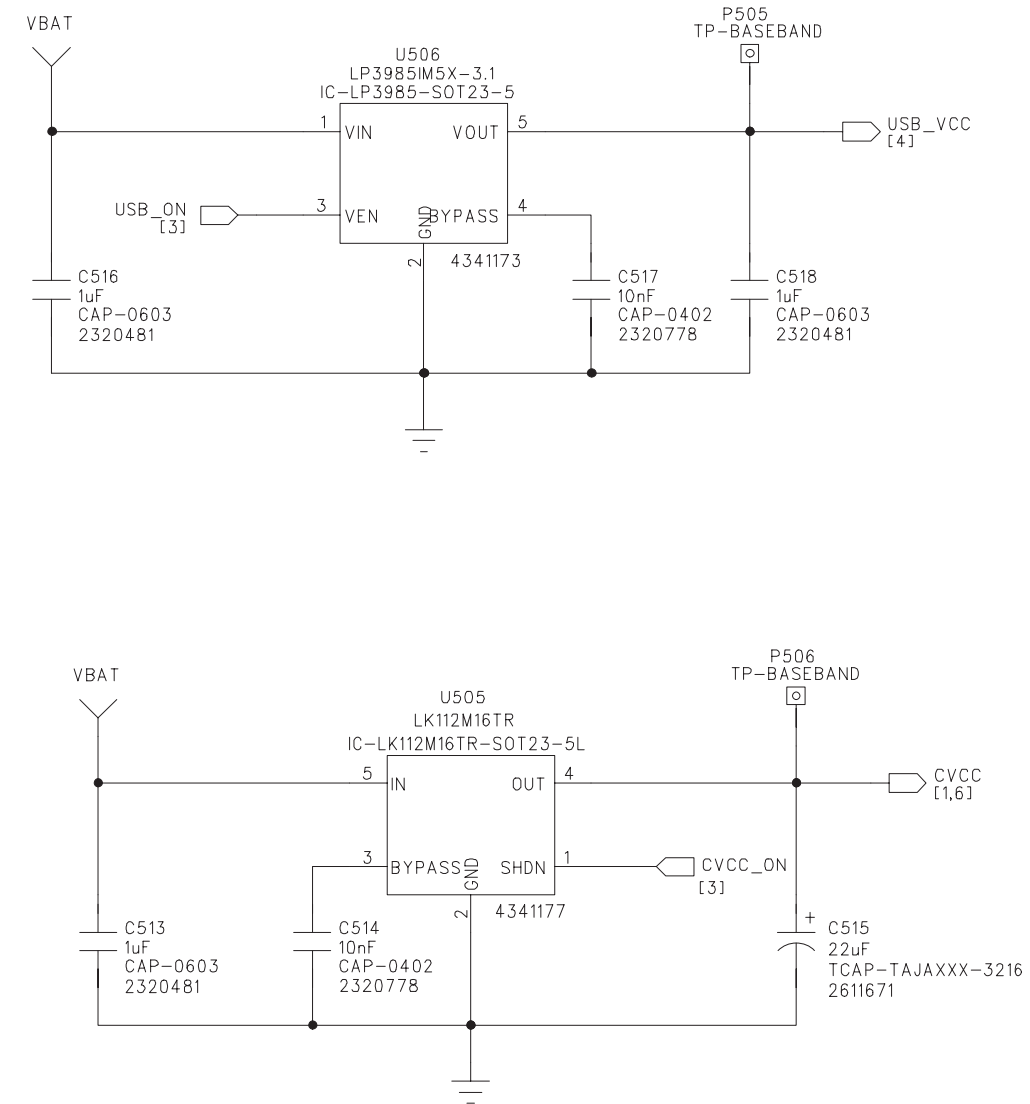
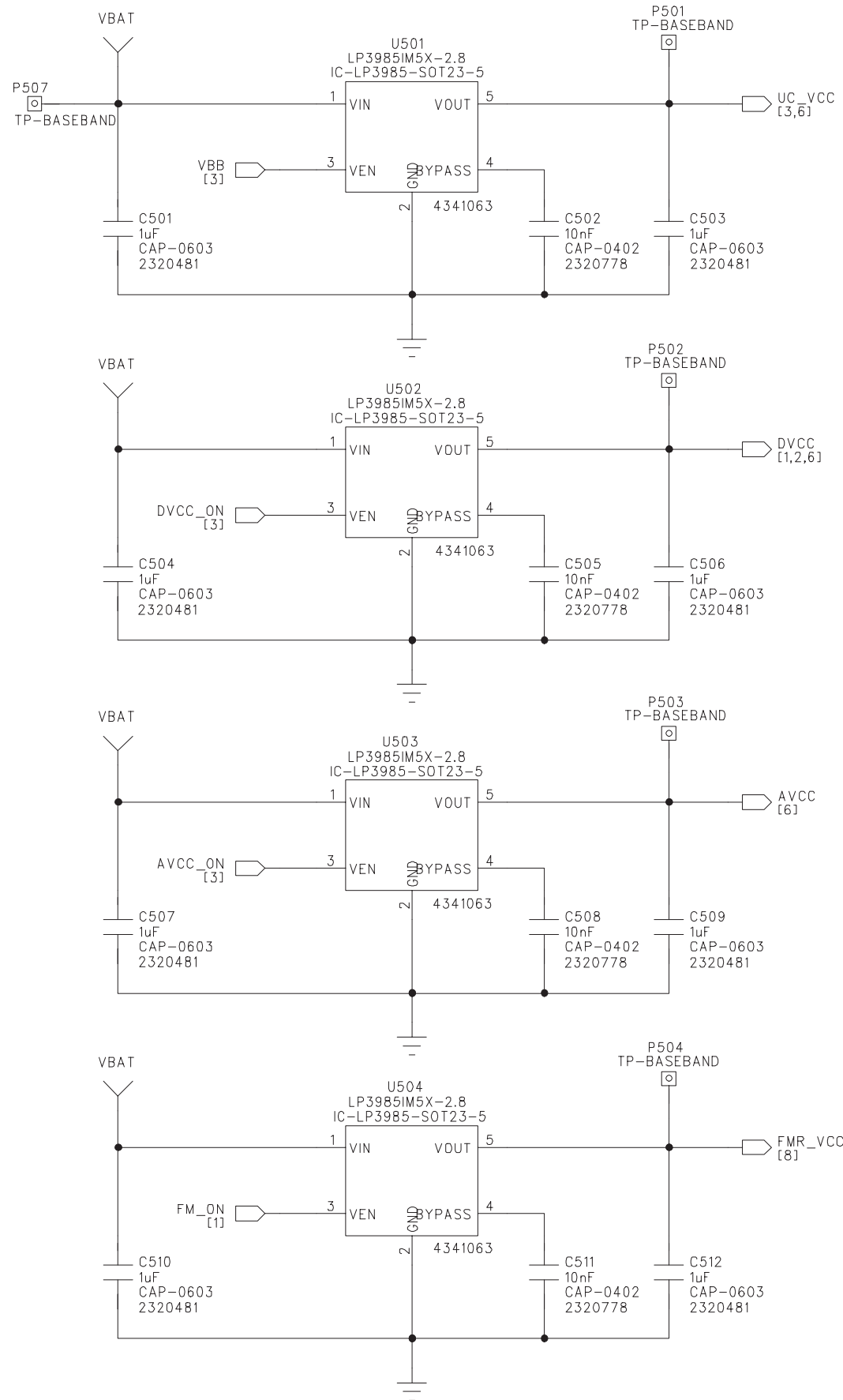
MP3 – uP schematic diagram, version 4.0



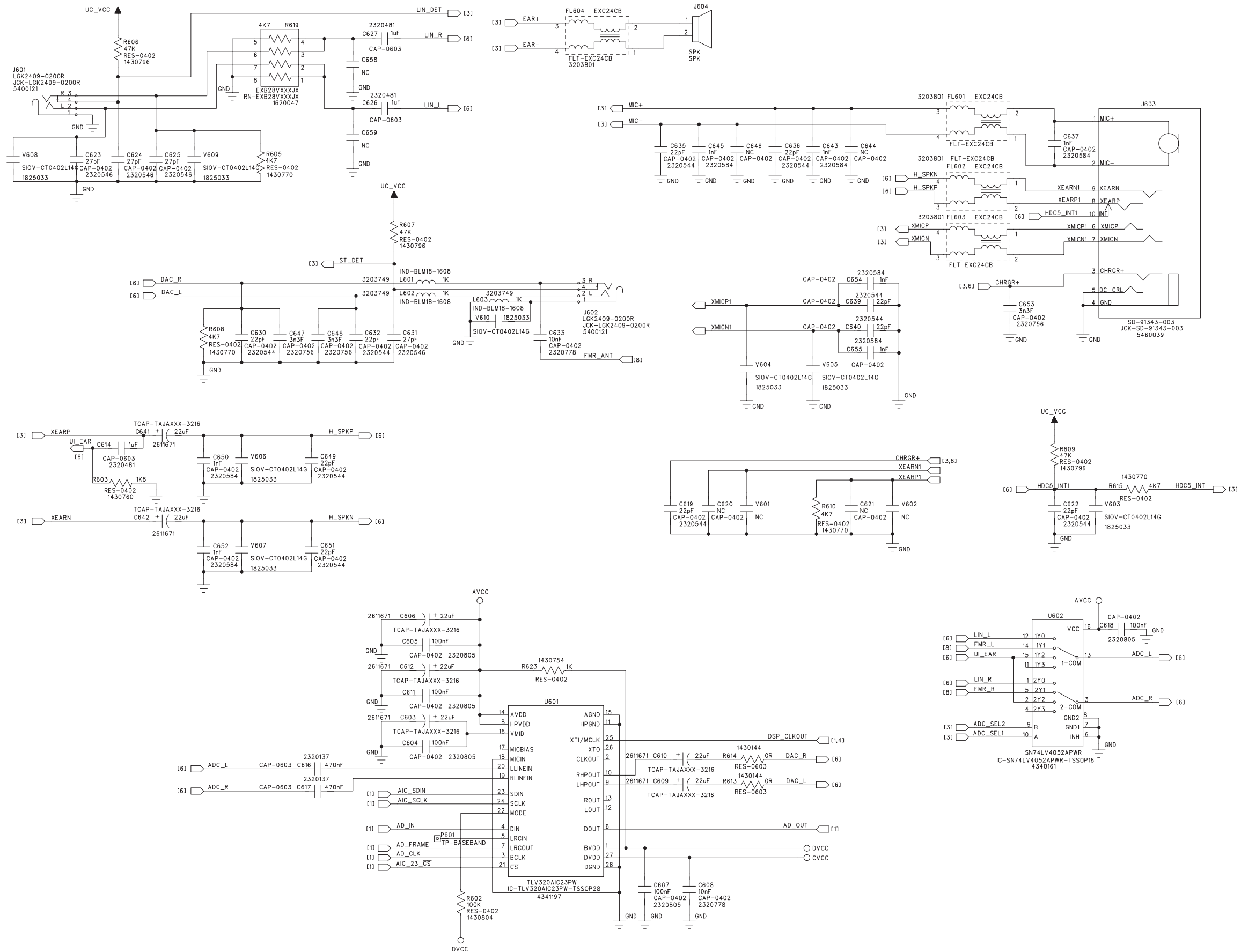
MP3 – USB schematic diagram, version 4.0



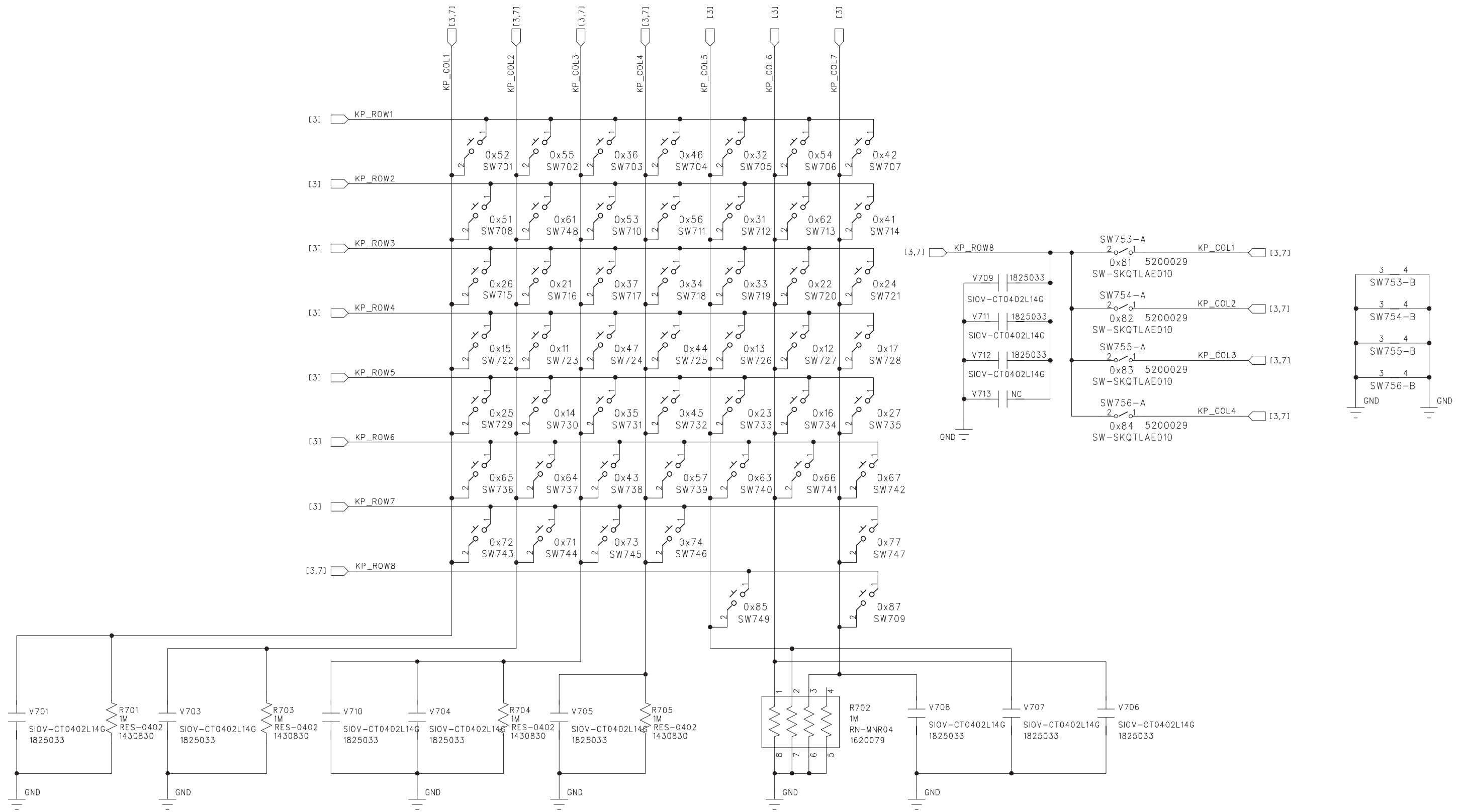
MP3 – power schematic diagram, version 4.0



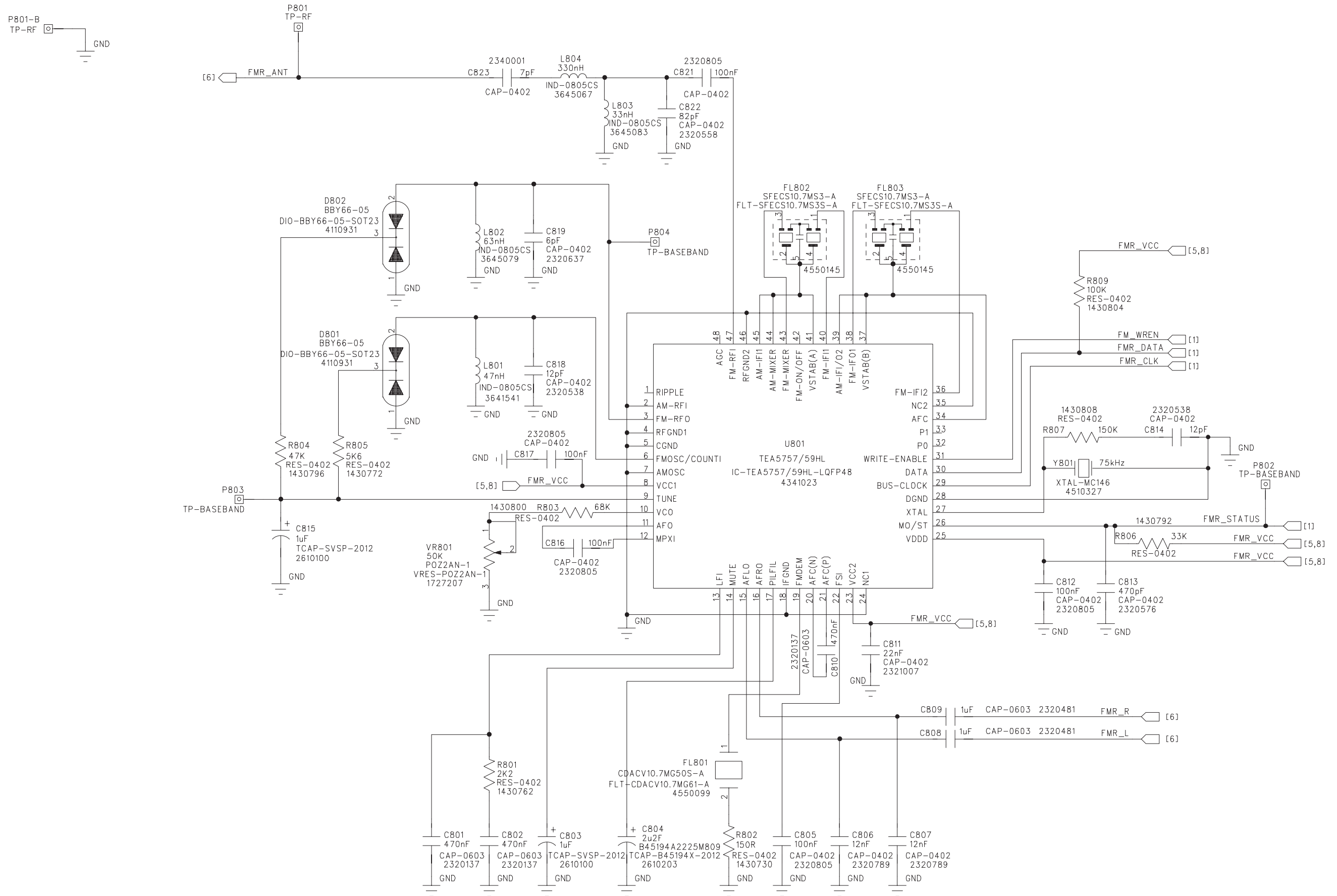
MP3 – audio schematic diagram, version 4.0



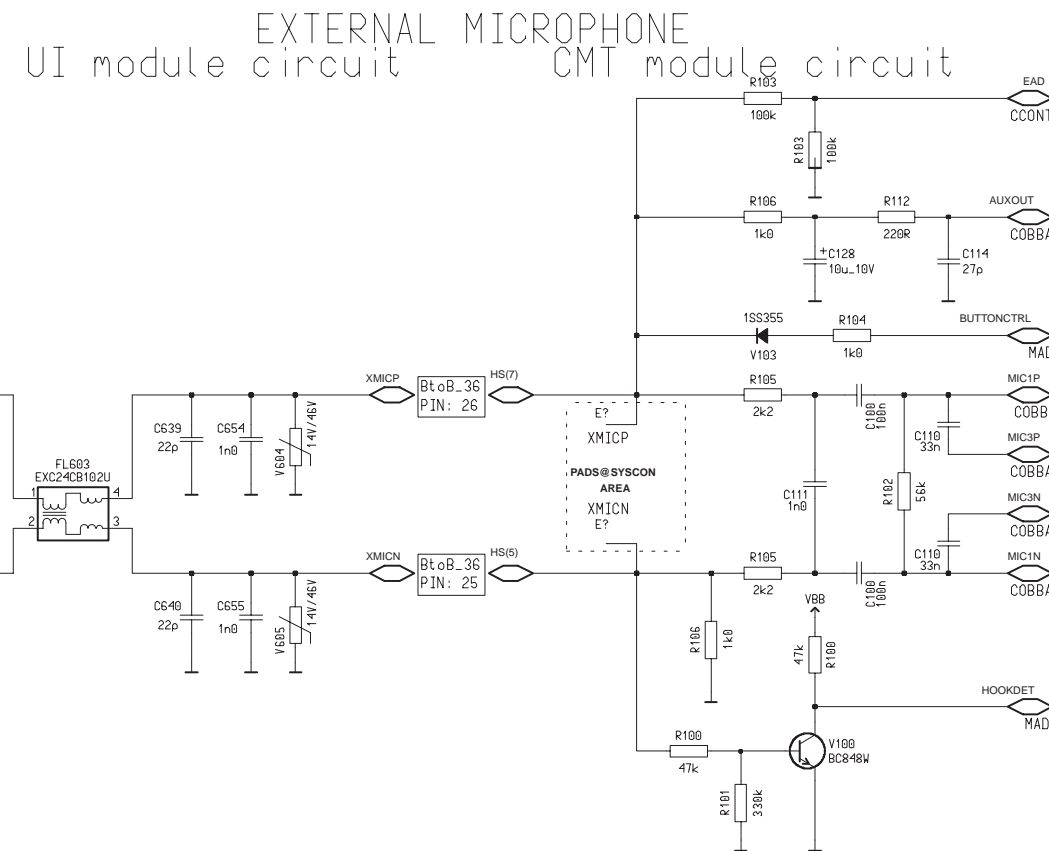
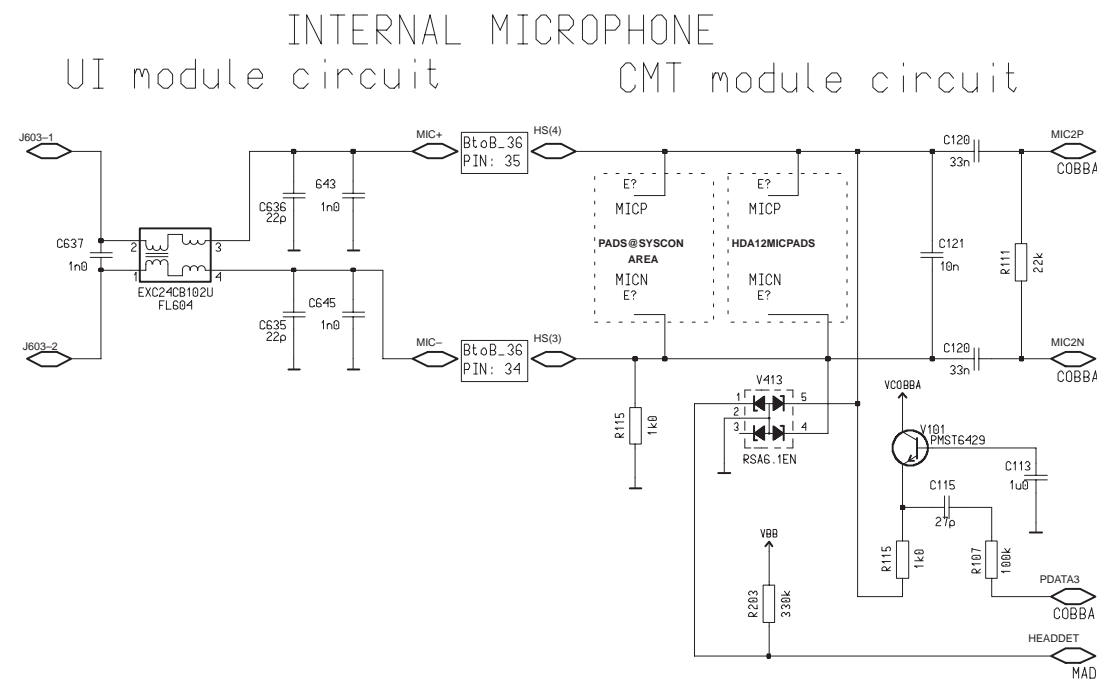
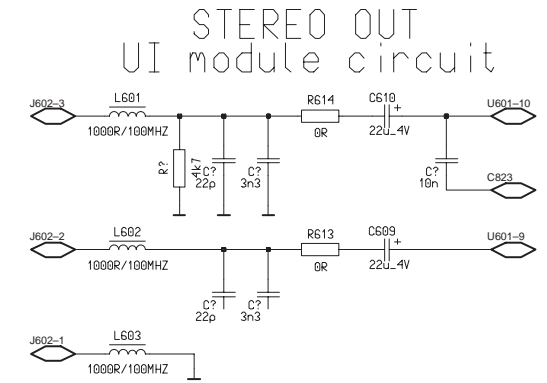
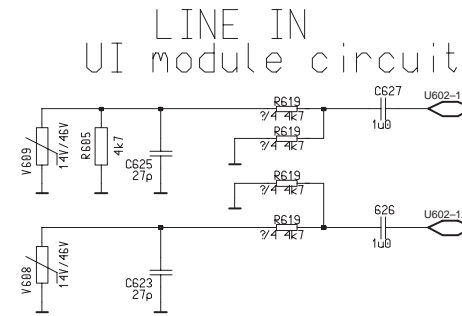
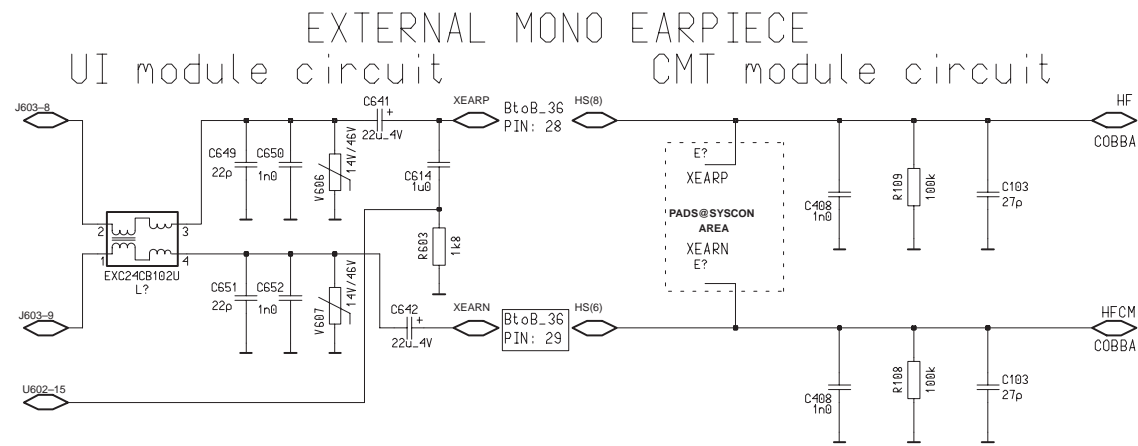
Keyboard schematic diagram, version 4.0



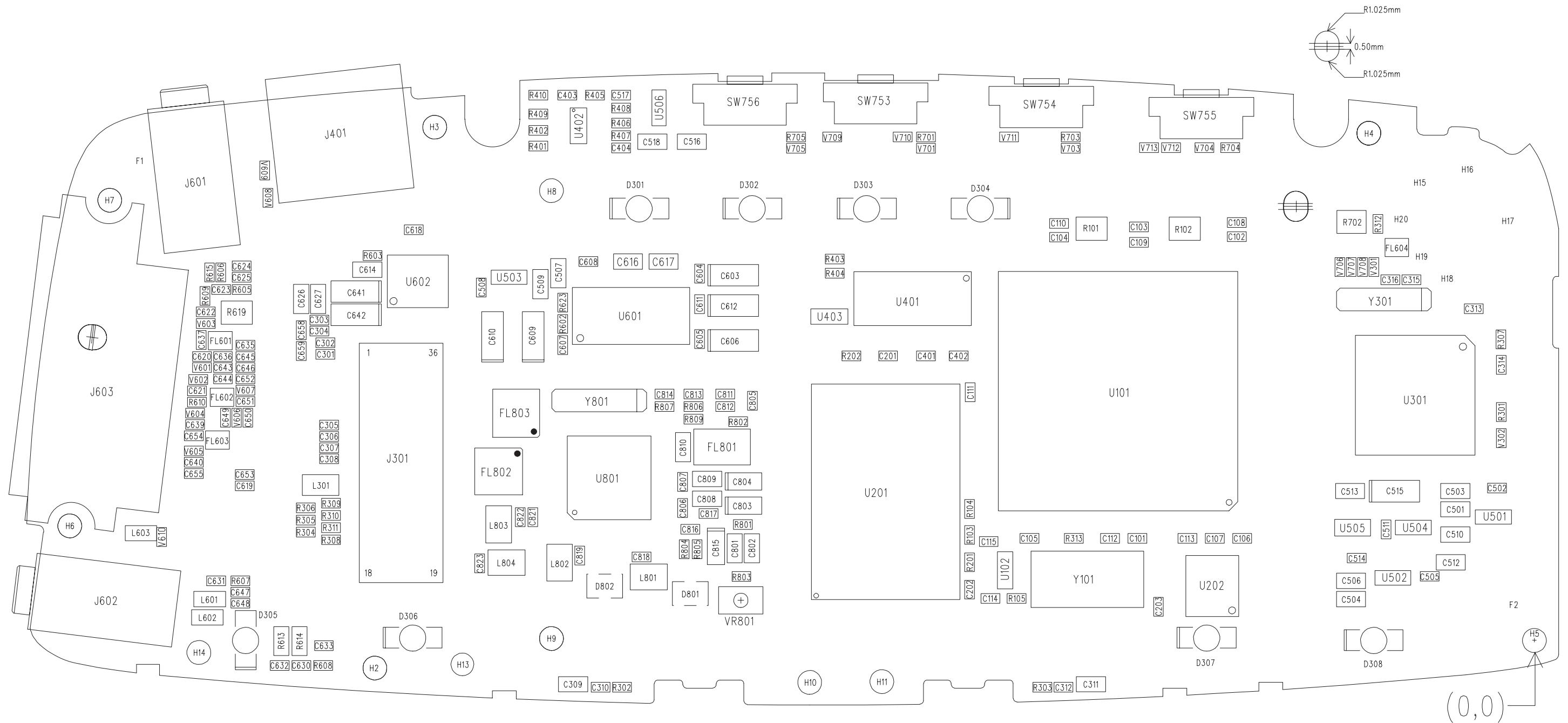
MP3 – FMR schematic diagram, version 4.0



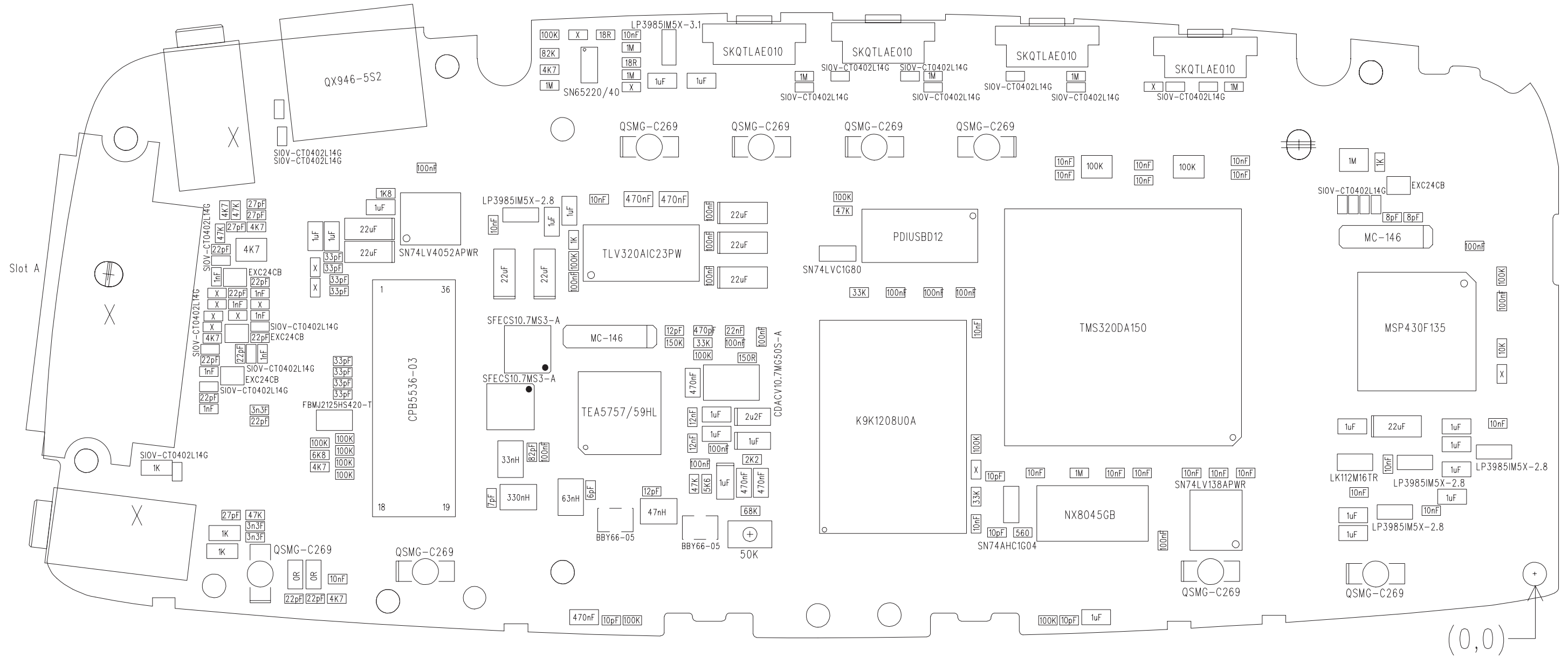
Audio circuits schematic diagram, version 4.0

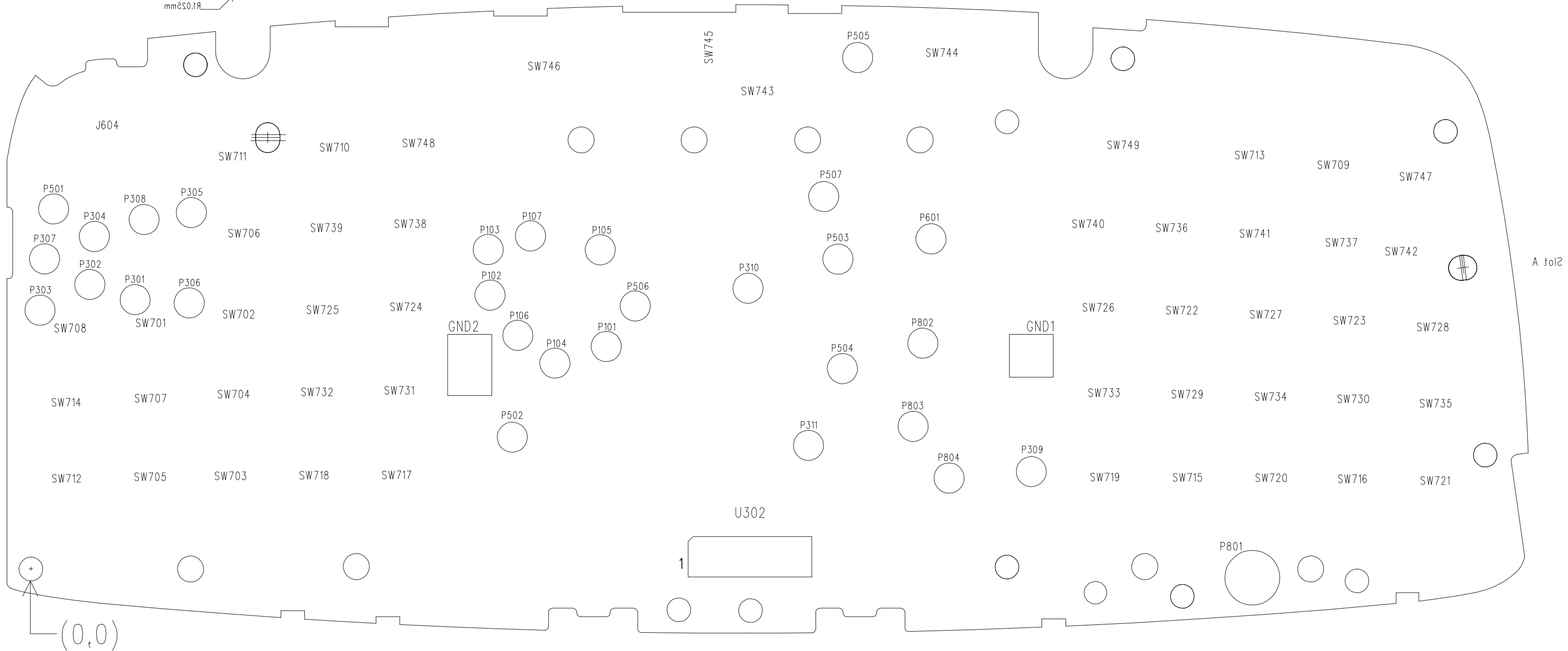
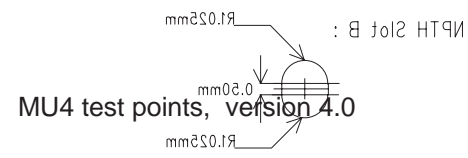


MU4 parts placement diagram, 1/2, version 4.0



MU4 parts placement diagram, 2/2, version 4.0





Test pt.	Symbol	Signal	Test pt.	Symbol	Signal	Test pt.	Symbol	Signal
P101	TMS	DSP-JTAG	P304	UTCK	MCU-JTAG	P502	DVCC	DSP IO voltage
P102	TDI	DSP-JTAG	P305	B_TXD	MCU FLASH output	P503	AVCC	ANALOG ICS voltage
P103	TDO	DSP-JTAG	P306	B_RXD	MCU FLASH input	P504	FMR_VCC	FM RADIO IC voltage
P104	TCK	DSP-JTAG	P307	PURX	MCU reset	P505	USB_VCC	USB ICS voltage
P105	EMU0	DSP-EMU IF	P308	XOUT	MCU 32KHZ OSC	P506	CVCC	DSP core voltage
P106	TRST	DSP-JTAG	P309	FBUS-TX	MCU FBUS input	P507	VBAT	UI main power supply
P107	EMU1	DSP-EMU IF	P310	FBUS-RX	MCU FBUS output	P801	FMR_ANT	ANT test feed point
P302	UTDI	MCU-JTAG	P311	VBB	Enables MCU VCC	P802	FMR_STATUS	MONO/ STEREO
P303	UTDO	MCU-JTAG	P501	UC_VCC	MCU voltage	P803	TUNE	VCO tuning output